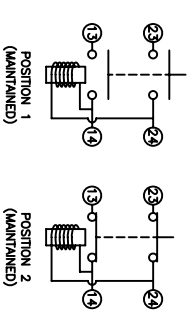
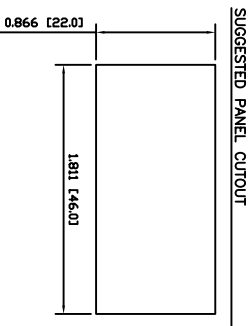
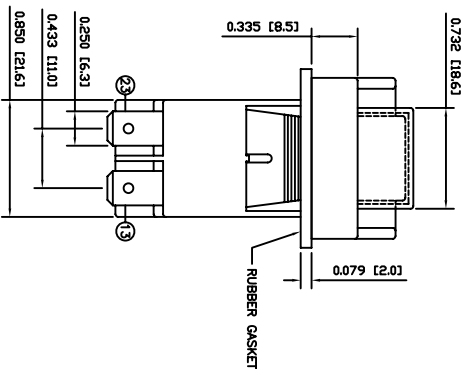
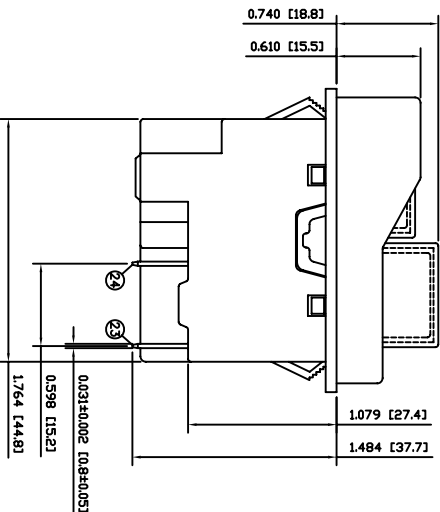


POSITION 2 POSITION 1



SCHEMATIC

SPECIFICATIONS

FUNCTION:
2PT OFF-ON
Auto Off Below Calibration Voltage

RATINGS:
ANSI/UL 508 and CAN/CSA 222.2 No.14 (E195908):
16A 220-240VAC [cUrms]
2HP 220-240VAC (12A FLA, 72A IRL) [cUrms]

CALIBRATION VOLTAGE:
Use: 240V 50Hz
Release: 130-170V

ELECTRICAL LIFE:
6,000 Cycles [cUrms]

INGRESS PROTECTION:
IP55

APPROVALS:
ROHS
COMPLIANT

COLORS AND MARKINGS

BEZEL:
Black

ACTUATOR:
ON: Green
OFF: Red

MARKING:
I/O Vertical (1)

MARKING COLOR:
White

MATERIALS

UPPER BODY:
Polymide 6/6 (PA66)

LOWER BODY:
Polymide 6/6 (PA66+G10)

BEZEL:
Polymide 6/6 (PA66+G10)

ACTUATORS:
Polymide 6/6 (PA66)

MOUNTING EARS:
Polymide 6/6 (PA66)

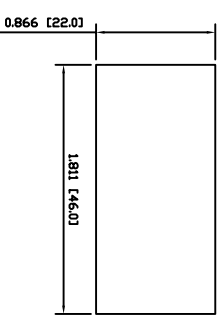
COVER:
Polyvinyl Chloride (PVC)

CONTACTS:
Silver Alloy Clad Copper (AgSnO/Cu)

TERMINALS:
Brass

GASKET:
Rubber

SUGGESTED PANEL CUTOUT



REV.	DATE	BY	CHK
A	09/08/07	CAB	
A	09/08/07	CAB	
A	09/08/07	CAB	

1

2

3

4

5

6

7

8

REV.	DATE	DESCRIPTION
A	07/21/12	New Release

REV.	DATE	DESCRIPTION
A	07/21/12	New Release

REV.	DATE	DESCRIPTION
A	07/21/12	New Release

E SWITCH

LAMB INDUSTRIES

KJD17-21513-112

34-KJD17151312

7-31-2012

REVISION A